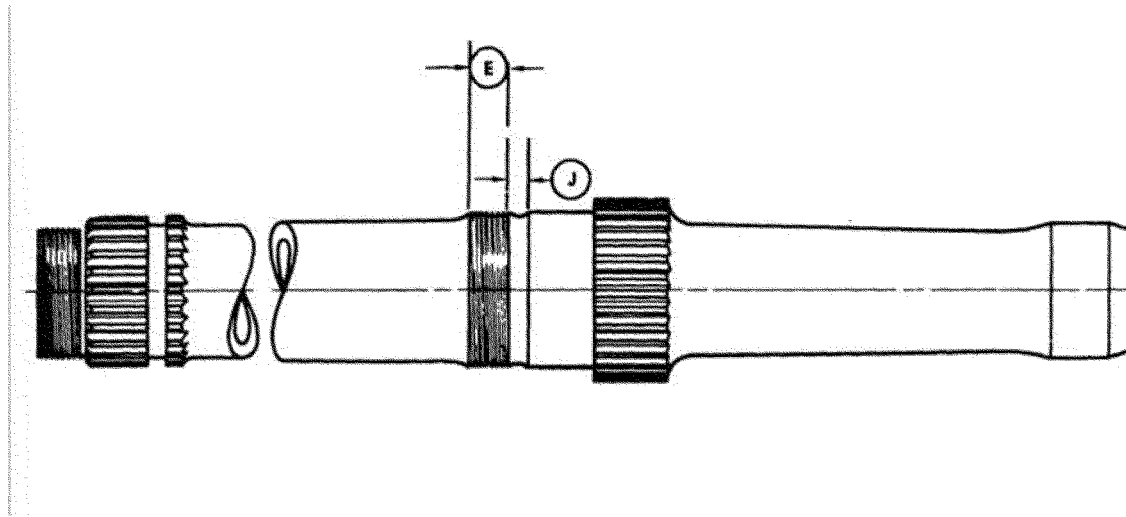


Figure 1 to Paragraph (f)



(2) If there is a crack, pitting, or corrosion, before further flight, replace the mast with an airworthy mast.

**(g) Alternative Methods of Compliance (AMOCs)**

(1) For AFE and SJH helicopters, the Manager, Los Angeles Aircraft Certification Office, FAA, may approve AMOCs for this AD. Send your proposal to: John Cecil, Aviation Safety Engineer, Los Angeles Aircraft Certification Office, Transport Airplane Directorate, FAA, 3960 Paramount Blvd., Lakewood, CA 90712; telephone (562) 627-5228; email [john.cecil@faa.gov](mailto:john.cecil@faa.gov).

(2) For RDC helicopters, the Manager, Denver Aircraft Certification Office, FAA, may approve AMOCs for this AD. Send your proposal to: Roger Caldwell, Aerospace Engineer, Denver Aircraft Certification Office, FAA, 26805 East 68th Ave., Room 214, Denver, CO 80249; telephone (303) 342-1086; email [roger.caldwell@faa.gov](mailto:roger.caldwell@faa.gov).

(3) For operations conducted under a 14 CFR part 119 operating certificate or under 14 CFR part 91, subpart K, we suggest that you notify your principal inspector, or lacking a principal inspector, the manager of the local flight standards district office or certificate holding district office before operating any aircraft complying with this AD through an AMOC.

**(h) Additional Information**

(1) Arrow Falcon Exporters, Inc., Alert Service Bulletin: 2012-58-01, Revision 1, dated February 20, 2012, which is not incorporated by reference, contains more information about the subject of this AD. For Arrow Falcon Exporters, Inc. service information identified in this AD, contact Arrow Falcon Exporters, Inc., 2081 South Wildcat Way, Porterville, CA 93257; telephone (559) 781-8604; fax (559) 781-9271; email [afe@arrowfalcon.com](mailto:afe@arrowfalcon.com).

(2) Rotorcraft Development Corporation Alert Service Bulletin No. OH58-13-01,

dated January 30, 2013, which is not incorporated by reference, contains more information about the subject of this AD. For Rotorcraft Development Corporation service information, contact Rotorcraft Development Corporation, PO Box 430, 1004 Eastside Highway, Corvallis, MT 59828; telephone (406) 961-4100; fax (406) 961-4101; or at <http://www.rotorcraftdevelopment.com>.

(3) United States Army Technical Manual Aviation Unit and Intermediate Maintenance Manual Army Model OH-58A and OH-58C Helicopters, TM 55-1520-228-23-1, which is not incorporated by reference, contains more information about the subject of this AD. For United States Army service information, contact Commander, U.S. Army Aviation and Missile Command, ATTN: AMSAM-MMA-NP, Redstone Arsenal, AL 35898-5000, telephone (256) 876-4044; or at <https://www.logsa.army.mil/etmpdf/files/030000/035016.pdf>.

(4) You may review the service information at the FAA, Office of the Regional Counsel, Southwest Region, 2601 Meacham Blvd., Room 663, Fort Worth, Texas 76137.

**(i) Subject**

Joint Aircraft Service Component (JASC)  
Code: 6300: Main Rotor Drive.

Issued in Fort Worth, Texas, on May 21, 2014.

**Lance T. Gant,**

*Acting Directorate Manager, Rotorcraft Directorate, Aircraft Certification Service.*

[FR Doc. 2014-12737 Filed 5-30-14; 8:45 am]

**BILLING CODE 4910-13-P**

**DEPARTMENT OF TRANSPORTATION**

**Federal Aviation Administration**

**14 CFR Part 71**

[Docket No. FAA-2013-0441; Airspace Docket No. 13-ASO-11]

**Proposed Establishment of Class E Airspace; Pine Knot, KY**

**AGENCY:** Federal Aviation Administration (FAA), DOT.

**ACTION:** Notice of proposed rulemaking (NPRM).

**SUMMARY:** This action proposes to establish Class E airspace at Pine Knot, KY, to accommodate a new Area Navigation (RNAV) Global Positioning System (GPS) Standard Instrument Approach Procedure (SIAP) serving McCreary County Airport. This action would enhance the safety and airspace management of Instrument Flight Rules (IFR) operations within the National Airspace System.

**DATES:** Comments must be received on or before July 17, 2014.

**ADDRESSES:** Send comments on this rule to: U.S. Department of Transportation, Docket Operations, West Building Ground Floor, Room W12-140, 1200 New Jersey, SE., Washington, DC 20590-0001; Telephone: 1-800-647-5527; Fax: 202-493-2251. You must identify the Docket Number FAA-2013-0441; Airspace Docket No. 13-ASO-11, at the beginning of your comments. You may also submit and review received comments through the Internet at <http://www.regulations.gov>.

**FOR FURTHER INFORMATION CONTACT:** John Fornito, Operations Support Group, Eastern Service Center, Federal Aviation Administration, P.O. Box 20636, Atlanta, Georgia 30320; telephone (404) 305-6364.

**SUPPLEMENTARY INFORMATION:**

**Comments Invited**

Interested persons are invited to comment on this rulemaking by submitting such written data, views, or arguments, as they may desire. Comments that provide the factual basis supporting the views and suggestions presented are particularly helpful in developing reasoned regulatory decisions on the proposal. Comments are specifically invited on the overall regulatory, aeronautical, economic, environmental, and energy-related aspects of the proposal.

Communications should identify both docket numbers (FAA Docket No. FAA-2013-0441; Airspace Docket No. 13-ASO-11) and be submitted in triplicate to the Docket Management System (see **ADDRESSES** section for address and phone number). You may also submit comments through the Internet at <http://www.regulations.gov>.

Persons wishing the FAA to acknowledge receipt of their comments on this action must submit with those comments a self-addressed stamped postcard on which the following statement is made: "Comments to Docket No. FAA-2013-0441; Airspace Docket No. 13-ASO-11." The postcard will be date/time stamped and returned to the commenter.

All communications received before the specified closing date for comments will be considered before taking action on the proposed rule. The proposal contained in this notice may be changed in light of the comments received. A report summarizing each substantive public contact with FAA personnel concerned with this rulemaking will be filed in the docket.

**Availability of NPRMs**

An electronic copy of this document may be downloaded from and comments submitted through <http://www.regulations.gov>. Recently published rulemaking documents can also be accessed through the FAA's Web page at [http://www.faa.gov/airports\\_airtraffic/air\\_traffic/publications/airspace\\_amendments/](http://www.faa.gov/airports_airtraffic/air_traffic/publications/airspace_amendments/).

You may review the public docket containing the proposal, any comments received and any final disposition in person in the Dockets Office (see the **ADDRESSES** section for address and phone number) between 9:00 a.m. and 5:00 p.m., Monday through Friday,

except Federal Holidays. An informal docket may also be examined between 8:00 a.m. and 4:30 p.m., Monday through Friday, except Federal Holidays, at the office of the Eastern Service Center, Federal Aviation Administration, Room 350, 1701 Columbia Avenue, College Park, Georgia 30337.

Persons interested in being placed on a mailing list for future NPRM's should contact the FAA's Office of Rulemaking, (202) 267-9677, to request a copy of Advisory circular No. 11-2A, Notice of Proposed Rulemaking distribution System, which describes the application procedure.

**The Proposal**

The FAA is considering an amendment to Title 14, Code of Federal Regulations (14 CFR) part 71 to establish Class E airspace at Pine Knot, KY, providing the controlled airspace required to support the new RNAV (GPS) standard instrument approach procedures for McCreary County Airport. Controlled airspace extending upward from 700 feet above the surface is required for IFR operations within a 9.3-mile radius of the airport.

Class E airspace designations are published in Paragraph 6005 of FAA order 7400.9X, dated August 7, 2013, and effective September 15, 2013, which is incorporated by reference in 14 CFR 71.1. The Class E airspace designation listed in this document will be published subsequently in the Order.

The FAA has determined that this proposed regulation only involves an established body of technical regulations for which frequent and routine amendments are necessary to keep them operationally current. It, therefore, (1) is not a "significant regulatory action" under Executive Order 12866; (2) is not a "significant rule" under DOT Regulatory Policies and Procedures (44 FR 11034; February 26, 1979); and (3) does not warrant preparation of a Regulatory Evaluation as the anticipated impact is so minimal. Since this is a routine matter that will only affect air traffic procedures and air navigation, it is certified that this proposed rule, when promulgated, would not have a significant economic impact on a substantial number of small entities under the criteria of the Regulatory Flexibility Act.

The FAA's authority to issue rules regarding aviation safety is found in Title 49 of the United States Code. Subtitle I, Section 106 describes the authority of the FAA Administrator. Subtitle VII, Aviation Programs, describes in more detail the scope of the agency's authority. This proposed

rulemaking is promulgated under the authority described in Subtitle VII, Part, A, Subpart I, Section 40103. Under that section, the FAA is charged with prescribing regulations to assign the use of airspace necessary to ensure the safety of aircraft and the efficient use of airspace. This proposed regulation is within the scope of that authority as it would establish Class E airspace at McCreary County Airport, Pine Knot, KY.

This proposal will be subject to an environmental analysis in accordance with FAA Order 1050.1E, "Environmental Impacts: Policies and Procedures" prior to any FAA final regulatory action.

**Lists of Subjects in 14 CFR Part 71:**

Airspace, Incorporation by reference, Navigation (air).

**The Proposed Amendment:**

In consideration of the foregoing, the Federal Aviation Administration proposes to amend 14 CFR part 71 as follows:

**PART 71—DESIGNATION OF CLASS A, B, C, D, AND E AIRSPACE AREAS; AIR TRAFFIC SERVICE ROUTES; AND REPORTING POINTS**

■ 1. The authority citation for part 71 continues to read as follows:

**Authority:** 49 U.S.C. 106(g); 40103, 40113, 40120; E.O. 10854, 24 FR 9565, 3 CFR, 1959-1963 Comp., p. 389.

**§ 71.1 [Amended]**

■ 2. The incorporation by reference in 14 CFR 71.1 of Federal Aviation Administration Order 7400.9X, Airspace Designations and Reporting Points, dated August 7, 2013, effective September 15, 2013, is amended as follows:

*Paragraph 6005 Class E Airspace Areas Extending Upward From 700 Feet or More Above the Surface of the Earth.*

\* \* \* \* \*

**ASO KY E5 Pine Knot, KY [New]**

McCreary County Airport, KY  
(Lat. 36°41'43" N., long. 84°23'29" W.)

That airspace extending upward from 700 feet above the surface within a 9.3-mile radius of McCreary County Airport.

Issued in College Park, Georgia, on May 21, 2014.

**Myron A. Jenkins,**

*Manager, Operations Support Group, Eastern Service Center, Air Traffic Organization.*

[FR Doc. 2014-12689 Filed 5-30-14; 8:45 am]

**BILLING CODE 4910-13-P**