

AOT specified in Table 1 of this AD. The report must include the inspection results, a description of any discrepancies found, the airplane serial number, and the number of landings and flight hours on the airplane.

(1) If the inspection was done on or after the effective date of this AD: Submit the report within 30 days after the inspection.

(2) If the inspection was done before the effective date of this AD: Submit the report within 30 days after the effective date of this AD.

Parts Installation

(k) As of the effective date of this AD, no person may install, on any airplane, a RAT turbine lower gear box assembly, as identified by part number in the applicable Hamilton Sundstrand service bulletin specified in Table 2 of this AD, unless it has been inspected and all applicable corrective actions have been done, in accordance with the requirements of this AD.

FAA AD Differences

Note 1: This AD differs from the MCAI and/or service information as follows: No differences.

Other FAA AD Provisions

(l) The following provisions also apply to this AD:

(1) *Alternative Methods of Compliance (AMOCs):* The Manager, International Branch, ANM-116, Transport Airplane Directorate, FAA, has the authority to approve AMOCs for this AD, if requested using the procedures found in 14 CFR 39.19. In accordance with 14 CFR 39.19, send your request to your principal inspector or local Flight Standards District Office, as appropriate. If sending information directly to the International Branch, send it to ATTN: Dan Rodina, Aerospace Engineer, International Branch, ANM-116, Transport Airplane Directorate, FAA, 1601 Lind Avenue, SW., Renton, Washington 98057-3356; telephone (425) 227-2125; fax (425) 227-1149. Before using any approved AMOC, notify your appropriate principal inspector, or lacking a principal inspector, the manager of the local flight standards district office/certificate holding district office. The AMOC approval letter must specifically reference this AD.

(2) *Airworthy Product:* For any requirement in this AD to obtain corrective actions from a manufacturer or other source, use these actions if they are FAA-approved. Corrective actions are considered FAA-approved if they are approved by the State of Design Authority (or their delegated agent). You are required to assure the product is airworthy before it is returned to service.

(3) *Reporting Requirements:* A Federal agency may not conduct or sponsor, and a person is not required to respond to, nor shall a person be subject to a penalty for failure to comply with a collection of information subject to the requirements of the Paperwork Reduction Act unless that collection of information displays a current valid OMB Control Number. The OMB Control Number for this information collection is 2120-0056. Public reporting for this collection of information is estimated to be approximately 5 minutes per response, including the time for reviewing instructions, and completing and reviewing the collection of information. All responses to this collection of information are mandatory. Comments concerning the accuracy of this burden and suggestions for reducing the burden should be directed to the FAA at: 800 Independence Ave., SW., Washington, DC 20591, Attn: Information Collection Clearance Officer, AES-200.

Related Information

(m) Refer to the applicable MCAI European Aviation Safety Agency (EASA) AD specified in Table 4 of this AD, the Airbus AOT's specified in Table 1 of this AD, and the Hamilton Sundstrand service bulletins specified in Table 2 of this AD, for related information.

TABLE 4—EASA ADS

For model—	EASA AD—	Dated—
A300-600 and A310 series airplanes	2009-0258	December 10, 2009.
A318, A319, A320, and A321 series airplanes	2010-0120	June 21, 2010.
A330 and A340 series airplanes	2009-0260	December 10, 2009 (corrected December 14, 2009).

Issued in Renton, Washington, on April 26, 2011.

Kalene C. Yanamura,

Acting Manager, Transport Airplane Directorate, Aircraft Certification Service.

[FR Doc. 2011-10816 Filed 5-3-11; 8:45 am]

BILLING CODE 4910-13-P

DEPARTMENT OF TRANSPORTATION

Federal Aviation Administration

14 CFR Part 39

[Docket No. FAA-2011-0450; Directorate Identifier 2011-CE-010-AD]

RIN 2120-AA64

Airworthiness Directives; Cessna Aircraft Company (Cessna) Models 337, 337A (USAF 02B), 337B, 337C, 337D, 337E, T337E, 337F, T337F, 337G, T337G, M337B, F 337E, FT337E, F 337F, FT337F, F 337G, and FT337GP Airplanes

AGENCY: Federal Aviation Administration (FAA), DOT.

ACTION: Notice of proposed rulemaking (NPRM).

SUMMARY: We propose to adopt a new airworthiness directive (AD) for the products listed above. This proposed AD would require inspecting the wings for internal and external damage, repairing any damage, reinforcing the wings, installing operational limitation placards in the cockpit, and adding limitations to the airplane flight manual supplement. This proposed AD was prompted by a review of installed Flint Aero, Inc. wing tip auxiliary fuel tanks, Supplemental Type Certificate (STC) SA5090NM. We are issuing this proposed AD to detect and correct damage in the wings and to prevent overload failure of the wing due to the installation of the STC. Damage in the wing or overload failure of the wing could result in structural failure of the wing, which could result in loss of control.

DATES: We must receive comments on this proposed AD by June 20, 2011.

ADDRESSES: You may send comments by any of the following methods:

- *Federal eRulemaking Portal:* Go to <http://www.regulations.gov>. Follow the instructions for submitting comments.

- *Fax:* 202-493-2251.
- *Mail:* U.S. Department of Transportation, Docket Operations, M-30, West Building Ground Floor, Room W12-140, 1200 New Jersey Avenue, SE., Washington, DC 20590.

- *Hand Delivery:* Deliver to Mail address above between 9 a.m. and 5 p.m., Monday through Friday, except Federal holidays.

For service information identified in this proposed AD, contact Flint Aero, Inc., 1942 Joe Crosson Drive, El Cajon, CA 92020; phone: (619) 448-1551; fax: (619) 448-1571; Internet: <http://www.flintaero.com>. You may review copies of the referenced service information at the FAA, Small Airplane Directorate, 901 Locust, Kansas City, MO 64106. For information on the availability of this material at the FAA, call (816) 329-4148.

Examining the AD Docket

You may examine the AD docket on the Internet at <http://>

www.regulations.gov; or in person at the Docket Management Facility between 9 a.m. and 5 p.m., Monday through Friday, except Federal holidays. The AD docket contains this proposed AD, the regulatory evaluation, any comments received, and other information. The street address for the Docket Office (phone: 800-647-5527) is in the ADDRESSES section. Comments will be available in the AD docket shortly after receipt.

FOR FURTHER INFORMATION CONTACT: Dara Albouyeh, Aerospace Engineer, FAA, Los Angeles Aircraft Certification Office, 3960 Paramount Blvd., Lakewood, CA 90712; phone: (562) 627-5222; fax: (562) 627-5210; e-mail: dara.albouyeh@faa.gov.

SUPPLEMENTARY INFORMATION:

Comments Invited

We invite you to send any written relevant data, views, or arguments about this proposal. Send your comments to an address listed under the ADDRESSES section. Include "Docket No. FAA-2011-0450; Directorate Identifier 2011-CE-010-AD" at the beginning of your comments. We specifically invite comments on the overall regulatory, economic, environmental, and energy aspects of this proposed AD. We will consider all comments received by the closing date and may amend this proposed AD because of those comments.

We will post all comments we receive, without change, to <http://www.regulations.gov>, including any

personal information you provide. We will also post a report summarizing each substantive verbal contact we receive about this proposed AD.

Discussion

In May 2010, we reviewed wing tip auxiliary fuel tank extension STCs to Cessna 336 and 337 series airplanes for compliance with airworthiness standards. Due to the STC similarities between Aviation Enterprises wing tip auxiliary fuel tank extensions and Flint Aero, Inc. wing tip auxiliary fuel tank extensions, both were reviewed for possible wing overload conditions.

In June 2010, we determined the proper design loads for both Aviation Enterprises wing tip auxiliary fuel tank extension and Flint Aero, Inc. wing tip auxiliary fuel tank extension STCs exceeded the strength capabilities of the outer portions of the wing.

On October 4, 2010, we issued AD 2010-21-18, Amendment 39-16478 (75 FR 64111, October 19, 2010), which applies to Cessna Models 336, 337, 337A (USAF 02B), 337B, M337B (USAF 02A), T337B, 337C, T337C, 337D, T337D, 337E, T337E, 337F, T337F, 337G, T337G, 337H, P337H, T337H, T337H-SP, F337E, FT337E, F337F, FT337F, F337G, FT337GP, F337H, and FT337HP airplanes that are now or have ever been modified by Aviation Enterprises wing tip auxiliary fuel tank extensions Supplemental Type Certificates (STC) SA02055AT, SA02056AT, SA02307AT, or SA02308AT.

In January 2011, Flint Aero, Inc. confirmed the under-strength condition of the outer wing section.

This condition, if not corrected, could result in structural failure of the wing, which could result in loss of control.

Relevant Service Information

We reviewed Flint Aero, Inc. Service Bulletin FA2, Rev 2, dated April 8, 2011, and Flint Aero, Inc. Drawing FA2, Rev A, dated April 8, 2011. The service information describes procedures for the reinforcement of the upper wing skin, the wing front spar cap, and the stringers.

FAA's Determination

We are proposing this AD because we evaluated all the relevant information and determined the unsafe condition described previously is likely to exist or develop in other products of the same type design.

Proposed AD Requirements

This proposed AD would require inspecting the wings for internal and external damage, repairing any damage, reinforcing the wings, installing operational limitation placards in the cockpit, and adding limitations to the Flint Aero, Inc. Airplane Flight Manual Supplement.

Costs of Compliance

We estimate that this AD affects 33 airplanes of U.S. registry.

We estimate the following costs to comply with this AD:

ESTIMATED COSTS

Action	Labor cost	Parts cost	Cost per product	Cost on U.S. operators
Inspection of the wing for damage	5 work-hours × \$85 per hour = \$425 per inspection cycle.	Not applicable	\$425 per inspection cycle.	\$14,025 per inspection cycle.
Fabricating and installing placards in the cockpit.	1 work-hour × \$85 per hour = \$85 ..	Not applicable	\$85	\$2,805.
Modifying the Limitations section of the Flint Aero, Inc. Airplane Flight Manual Supplement.	.5 work-hour × \$85 per hour = \$42.50.	Not applicable	\$42.50	\$1,402.50.
Reinforcing the upper wing skin, stringer, and wing front spar cap.	25 work-hours × \$85 per hour = \$2,125.	\$1,070	\$3,195	\$105,435.

Authority for This Rulemaking

Title 49 of the United States Code specifies the FAA's authority to issue rules on aviation safety. Subtitle I, section 106, describes the authority of the FAA Administrator. Subtitle VII: Aviation Programs, describes in more detail the scope of the Agency's authority.

We are issuing this rulemaking under the authority described in subtitle VII, part A, subpart III, section 44701:

"General requirements." Under that section, Congress charges the FAA with promoting safe flight of civil aircraft in air commerce by prescribing regulations for practices, methods, and procedures the Administrator finds necessary for safety in air commerce. This regulation is within the scope of that authority because it addresses an unsafe condition that is likely to exist or develop on products identified in this rulemaking action.

Regulatory Findings

We determined that this proposed AD would not have federalism implications under Executive Order 13132. This proposed AD would not have a substantial direct effect on the States, on the relationship between the national Government and the States, or on the distribution of power and responsibilities among the various levels of government.

For the reasons discussed above, I certify this proposed regulation:

- (1) Is not a "significant regulatory action" under Executive Order 12866,
- (2) Is not a "significant rule" under the DOT Regulatory Policies and Procedures (44 FR 11034, February 26, 1979),
- (3) Will not affect intrastate aviation in Alaska, and
- (4) Will not have a significant economic impact, positive or negative, on a substantial number of small entities under the criteria of the Regulatory Flexibility Act.

List of Subjects in 14 CFR Part 39

Air transportation, Aircraft, Aviation safety, Incorporation by reference, Safety.

The Proposed Amendment

Accordingly, under the authority delegated to me by the Administrator, the FAA proposes to amend 14 CFR part 39 as follows:

PART 39—AIRWORTHINESS DIRECTIVES

1. The authority citation for part 39 continues to read as follows:

Authority: 49 U.S.C. 106(g), 40113, 44701.

§ 39.13 [Amended]

2. The FAA amends § 39.13 by adding the following new airworthiness directive (AD):

Cessna Aircraft Company: Docket No. FAA-2011-0450; Directorate Identifier 2011-CE-010-AD.

Comments Due Date

(a) We must receive comments by June 20, 2011.

Affected ADs

(b) AD 2010-21-18, Amendment 39-16478, is related to the subject of this AD.

Applicability

(c) This AD applies to Cessna Aircraft Company (Cessna) Models 337, 337A (USAF 02B), 337B, 337C, 337D, 337E, T337E, 337F, T337F, 337G, T337G, M337B, F 337E, FT337E, F 337F, FT337F, F 337G, and FT337GP airplanes, all serial numbers, that:

- (1) Are certificated in any category; and
- (2) Are or have ever been modified by Flint Aero, Inc. Supplemental Type Certificate (STC) SA5090NM.

Subject

(d) Joint Aircraft System Component (JASC)/Air Transport Association (ATA) of America Code 57; Wings.

Unsafe Condition

(e) This AD was prompted by a review of installed Flint Aero, Inc. wing tip auxiliary fuel tanks, STC SA5090NM. We are issuing this AD to detect and correct damage in the wings and to prevent overload failure of the wing due to the installation of the STC.

Damage in the wing or overload failure of the wing could result in structural failure of the wing, which could result in loss of control.

Compliance

(f) Comply with this AD within the compliance times specified, unless already done.

Required Actions

(g) Within the next 50 hours time-in-service (TIS) after the effective date of this AD or within 30 days after the effective date of this AD, whichever occurs first, do a general and focused inspection of the left and right wing for internal and external damage at wing stations (WSTA) 150 and 177. Do the inspections following Appendix 1 of this AD.

(h) After the inspection required in paragraph (g) of this AD if no damage was found and before the modification required in paragraph (k) of this AD is incorporated, anytime severe and/or extreme turbulence is encountered during flight, before the next flight do a focused inspection of the wing for damage following steps 1, 2, 3, 4, 7, and 10 in Appendix 1 of this AD. Also inspect for signs of distress in the upper front spar in the area around WSTA 150 and 177. The definition of severe and extreme turbulence can be found in table 7-1-9 of the FAA Aeronautical Information Manual (AIM). You may obtain a copy of the FAA AIM at http://www.faa.gov/air_traffic/publications/atpubs/aim/.

(i) For airplanes that have not had the modification specified in paragraphs (j) and (k) incorporated, within the next 50 hours time-in-service (TIS) after the effective date of this AD or within 30 days after the effective date of this AD, fabricate a placard (using at least 1/8-inch letters) with the following words and install the placard on the instrument panel within the pilot's clear view:

(1) "MAINTAIN AT LEAST 12 GAL OF FUEL IN EACH WING TIP FUEL TANK FOR AIRPLANE WEIGHTS BETWEEN 3,400 LBS AND 4,330 LBS."

(2) "MAINTAIN FULL FUEL IN EACH WING TIP FUEL TANK FOR AIRPLANE WEIGHTS AT OR ABOVE 4,330 LBS."

(j) If damage or signs of distress are found during the inspections required in paragraphs (g) and (h) of this AD, before further flight do the following:

(1) Repair all damaged and distressed parts following FAA Advisory Circular (AC) 43.13-1B, Chapter 4, which can be found at <http://rgl.faa.gov/>;

(2) Incorporate the modification reinforcement specified in Flint Aero, Inc. Service Bulletin FA2, Rev 2, dated April 8, 2011, following Flint Aero, Inc. Drawing FA2, Rev A, dated April 8, 2011;

(3) Remove the placard specified in paragraph (i) of this AD;

(4) Fabricate a new placard (using at least 1/8-inch letters) with the following words and install the placard on the instrument panel within the pilot's clear view: "MAINTAIN AT LEAST 12 GAL OF FUEL IN EACH WING TIP FUEL TANK FOR AIRPLANE WEIGHTS AT OR ABOVE 4,330 LBS"; and

(5) Incorporate the information from Appendix 2 of this AD into the Limitations

section of the Flint Aero, Inc. Airplane Flight Manual Supplement.

(k) If no damage or signs of distress are found during the inspections required in paragraphs (g) and (h) of this AD, within the next 100 hours TIS after the effective date of this AD or within 12 months after the effective date of this AD, whichever occurs first, do the following:

(1) Incorporate the modification reinforcement specified in Flint Aero, Inc. Service Bulletin FA2, Rev 2, dated April 8, 2011, following Flint Aero, Inc. Drawing FA2, Rev A, dated April 8, 2011;

(2) Remove the placard specified in paragraph (i) of this AD;

(3) Fabricate a new placard (using at least 1/8-inch letters) with the following words and install the placard on the instrument panel within the pilot's clear view: "MAINTAIN AT LEAST 12 GAL OF FUEL IN EACH WING TIP FUEL TANK FOR AIRPLANE WEIGHTS AT OR ABOVE 4,330 LBS"; and

(4) Incorporate the information from Appendix 2 of this AD into the Limitations section of the Flint Aero, Inc. Airplane Flight Manual Supplement.

(l) You may incorporate the modification reinforcement specified in Flint Aero, Inc. Service Bulletin FA2, Rev 2, dated April 8, 2011, following Flint Aero, Inc. Drawing FA2, Rev A, dated April 8, 2011, at any time after the inspection required in paragraph (g) of this AD but no later than the compliance time specified in paragraph (k) of this AD as long as no cracks were found. As required in paragraph (j) of this AD, the modification reinforcement must be incorporated before further flight if damage or signs of distress are found.

Alternative Methods of Compliance (AMOCs)

(m)(1) The Manager, Los Angeles Aircraft Certification Office (ACO), FAA, has the authority to approve AMOCs for this AD, if requested using the procedures found in 14 CFR 39.19. In accordance with 14 CFR 39.19, send your request to your principal inspector or local Flight Standards District Office, as appropriate. If sending information directly to the manager of the ACO, send it to the attention of the person identified in the Related Information section of this AD.

(2) Before using any approved AMOC, notify your appropriate principal inspector, or lacking a principal inspector, the manager of the local flight standards district office/certificate holding district office.

Related Information

(n) For more information about this AD, contact Dara Albouyeh, Aerospace Engineer, FAA, Los Angeles ACO, 3960 Paramount Blvd., Lakewood, CA 90712; phone: (562) 627-5222; fax: (562) 627-5210; e-mail: dara.albouyeh@faa.gov.

(o) For service information identified in this AD, contact Flint Aero, Inc., 1942 Joe Crosson Drive, El Cajon, CA 92020; phone: (619) 448-1551; fax: (619) 448-1571; Internet: <http://www.flintaero.com>. You may review copies of the referenced service information at the FAA, Small Airplane Directorate, 901 Locust, Kansas City, MO 64106. For information on the availability of this material at the FAA, call (816) 329-4148.

Appendix 1 to Docket No. FAA–2011–0450**General and Focused Inspection Procedures**

Perform a general and focused inspection of the wing for internal and external damage from wing station (WSTA) 23 to the wing tip. The general inspection must be performed in accordance with 14 CFR 43.15(c), using a checklist that includes at least the scope and detail of the items contained in Appendix D of 14 CFR part 43. The focused inspection must include the items listed below. Remove all wing access panels to conduct the inspections. Do these inspections following the manufacturer's service information and any other appropriate guidance, such as FAA Advisory Circular (AC) 43.13–1B Acceptable Methods, Techniques, and Practices—Aircraft Inspection and Repair. AC 43.13–1B can be found at <http://rgl.faa.gov/>.

Focused inspection items to look for:

(1) Wrinkles in upper wing skins, from the outboard edge on the fuel tank access covers (WSTA 150 or 177) to the WSTA 222 (See View B, Figure 3).

(2) Wrinkles in the upper wing skins from WSTA 55 to 66, adjacent to the booms (See View E, Figure 6).

(3) Cracking of the upper wing skins. Pay particular attention to any wrinkles, the radius between stiffeners at WSTA 150

(under fuel tank covers), and unreinforced access holes (See View B, Figure 3).

(4) Working (smoking) rivets outboard of the wing tank access covers.

(5) Fasteners with less than two diameters edge distance.

(6) Fasteners with less than four diameters center to center spacing.

(7) Looseness of attachments of the tip extension to the wing and wing tip to wing extension when pushing up and down on the tip.

(8) Any signs of distress along both front and rear spars, particularly in the area around WSTA 177.

(9) Inspect under any repairs to the upper skins, particularly in the area just outboard of the fuel tank access covers as these may be covering up existing damage.

(10) Inter-rivet buckling of the stringers attached to the upper surface skin, outboard of the fuel tank access covers (See View F, Figure 7).

(11) Inspect rib at WSTA 222 for damage. Trimming of the rib may have been done to allow installation of fuel lines (See View A, Figure 2). Repair in accordance with AC 43.13–1B, Chapter 4, paragraph 4–58(g) and Figure 4–14, or by using another FAA-approved method that restores equivalent strength of the wing rib.

Appendix 1 to Docket No. FAA–2011–0450**General and Focused Inspection Procedures (Continued)**

(12) Inspect and identify screws, installed in tapped (threaded) holes in metal substructure, used to attach wing tips, stall fences, fuel and electrical components, and access doors. For tapped holes, remove fastener and open up the diameter to provide a smooth bore hole, for the smallest oversize fastener, using close tolerance holes noted in AC 43.13–1B, paragraph 7–39 or other FAA-approved scheme. Maintain minimum 2 x fastener diameter edge distance and 4 x fastener diameter center to center spacing. Select and install new, equivalent strength or stronger, fasteners with nuts/collars in accordance with AC 43.13–1B, Chapter 7 and AC 43.13–2B, paragraph 108 or other FAA-approved repair. New fasteners must not have threads in bearing against the sides of the holes.

(13) Inspect wing skins for unreinforced cutouts. (See View C, Figure 4).

(14) Inspect the upper spar cap horizontal flanges for open holes (See View D, Figure 5).

Appendix 1 to Docket No. FAA–2011–0450 (Continued)

BILLING CODE 4910–13–P

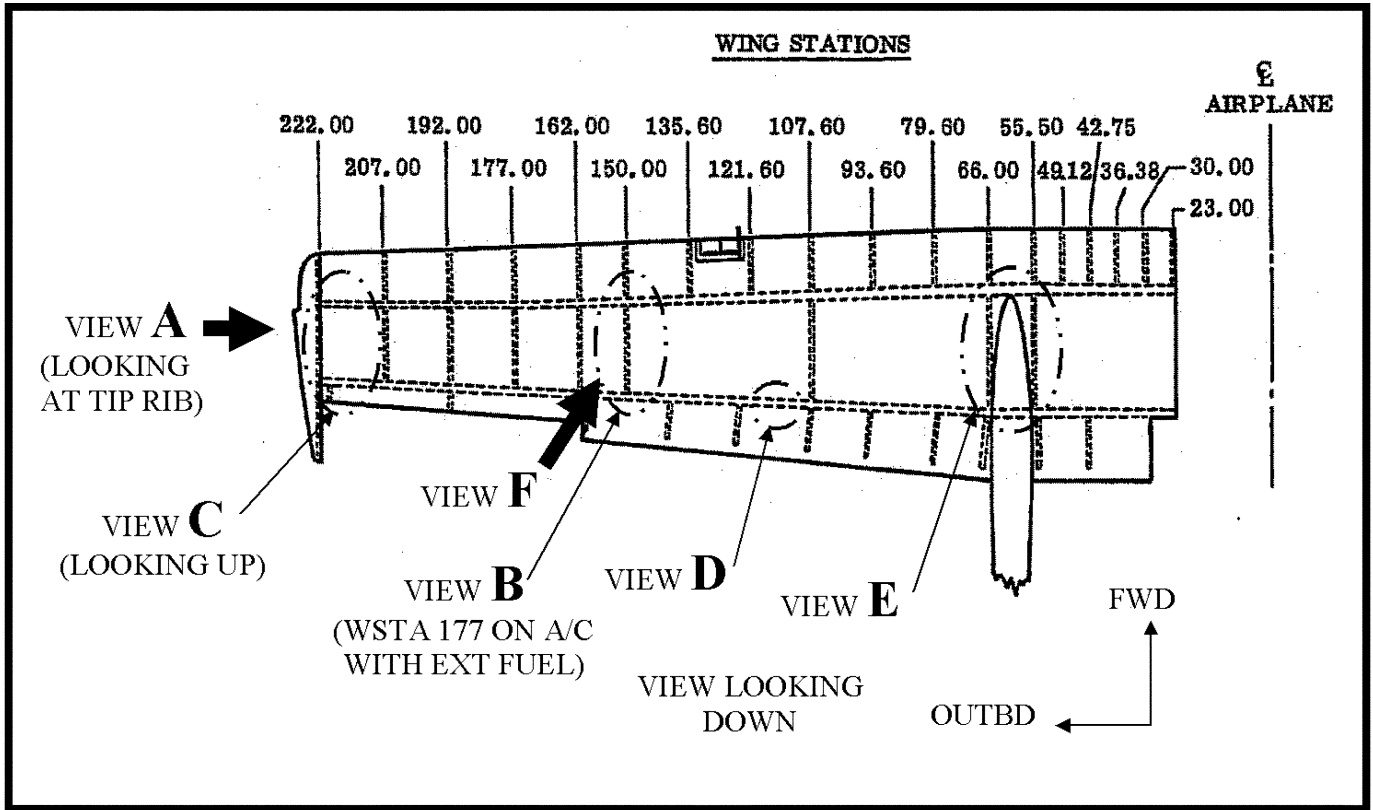


Figure 1

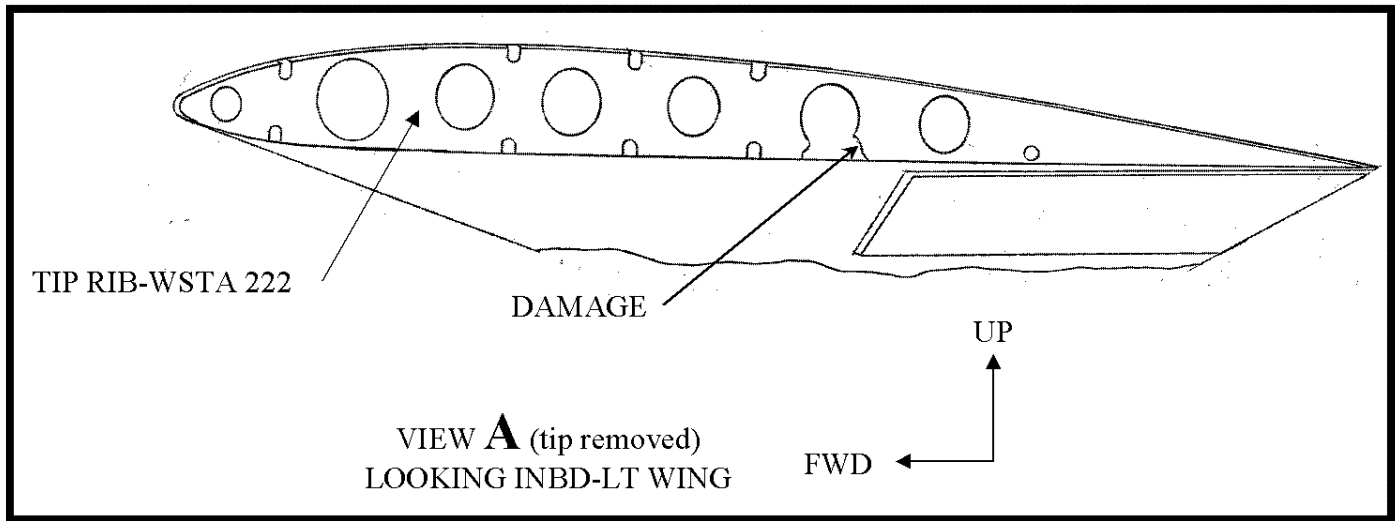


Figure 2

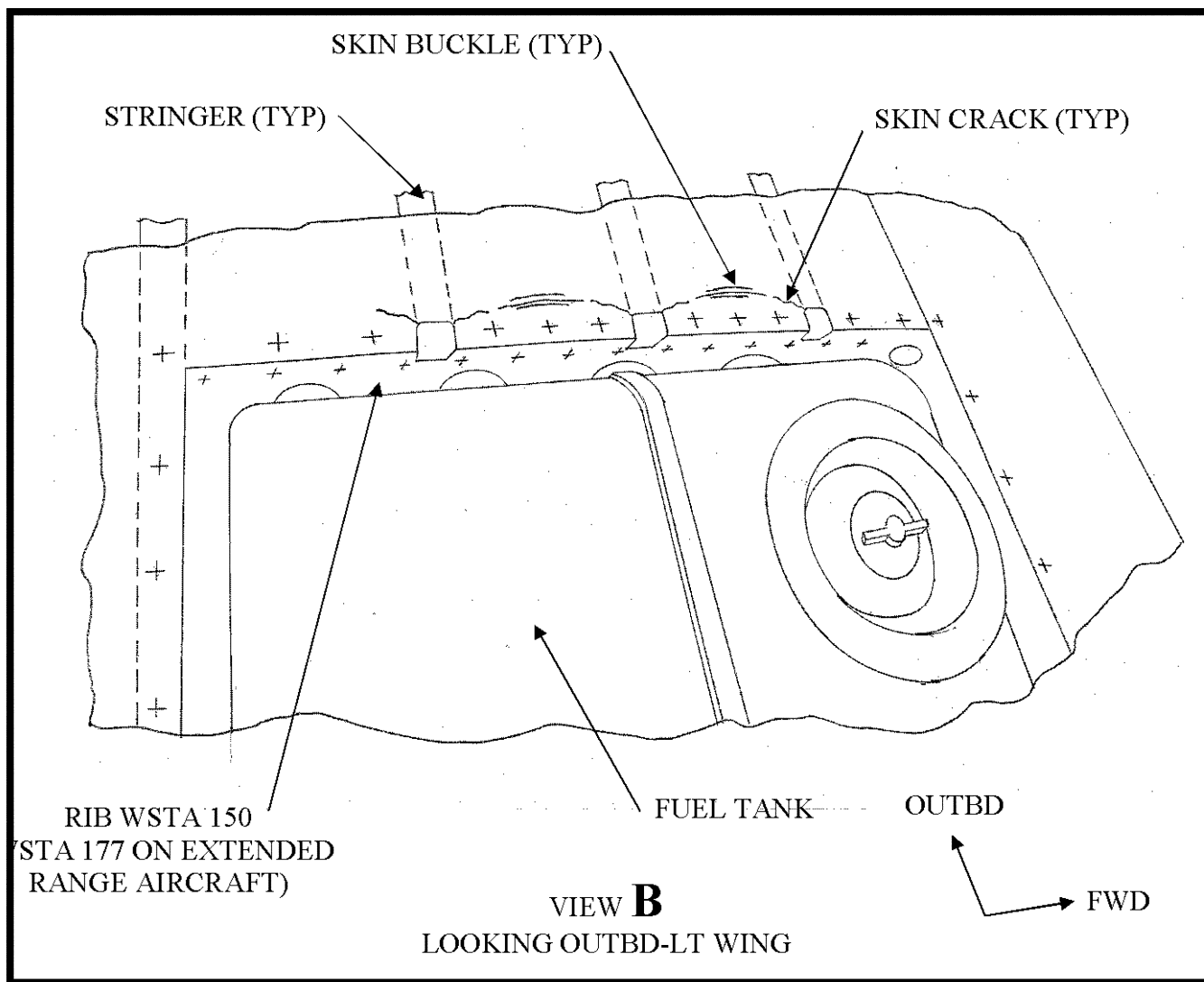


Figure 3

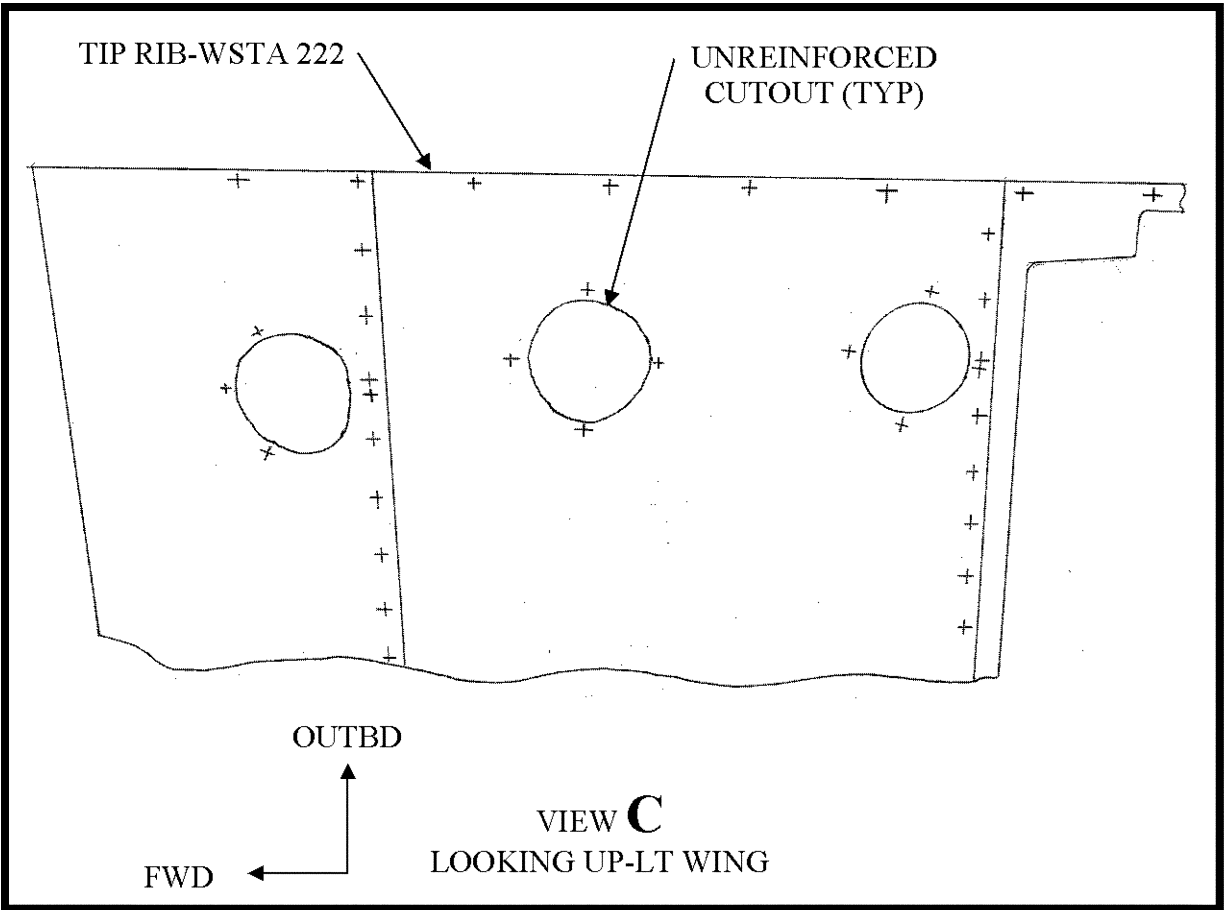


Figure 4

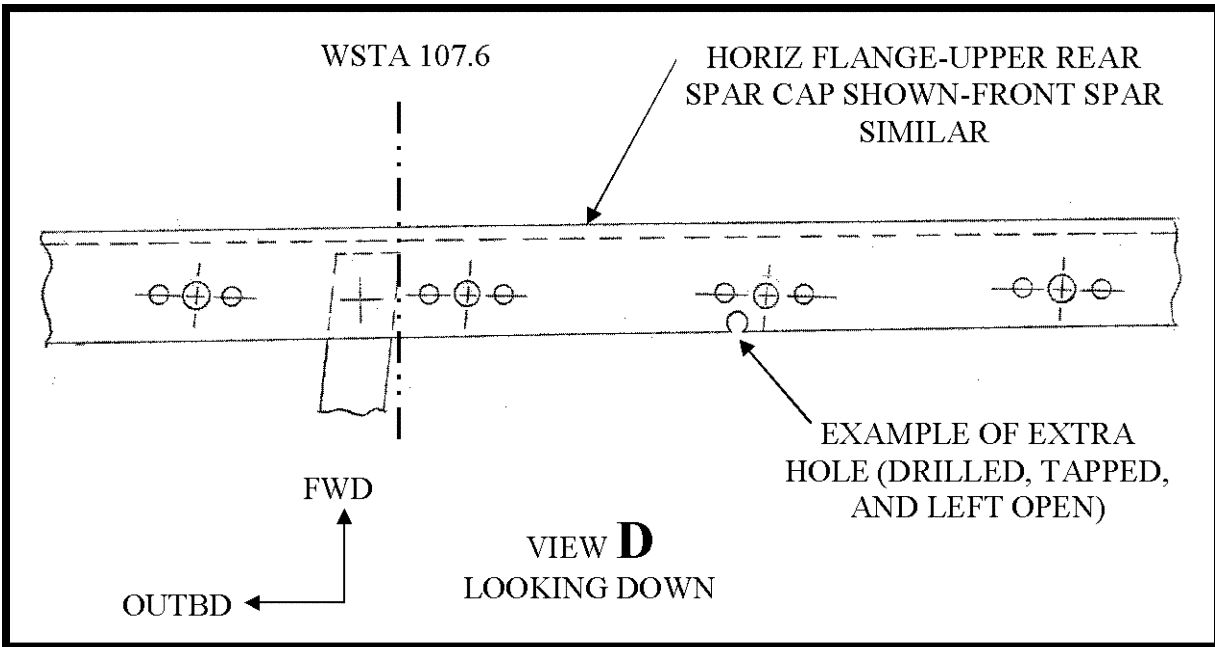


Figure 5

BILLING CODE 4910-13-C

Appendix 1 to Docket No. FAA-2011-0450
(Continued)

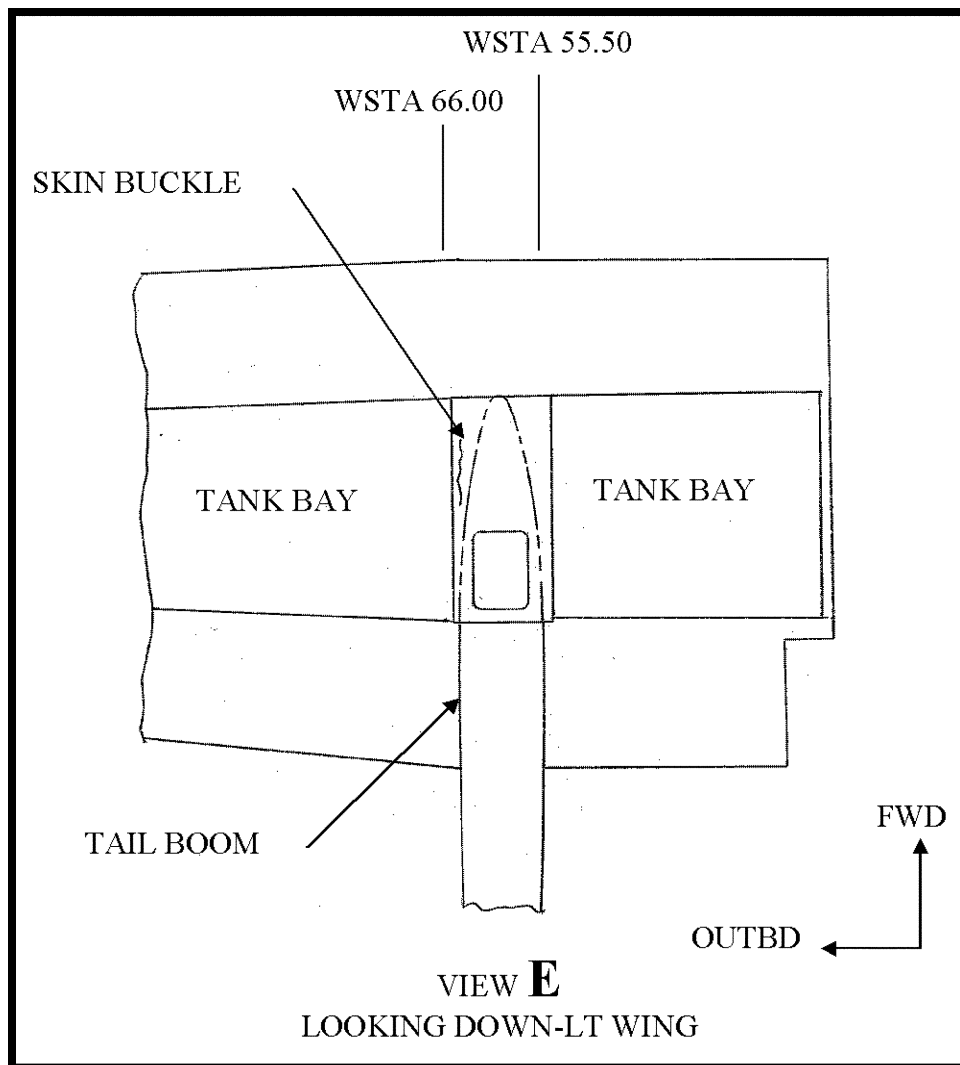


Figure 6

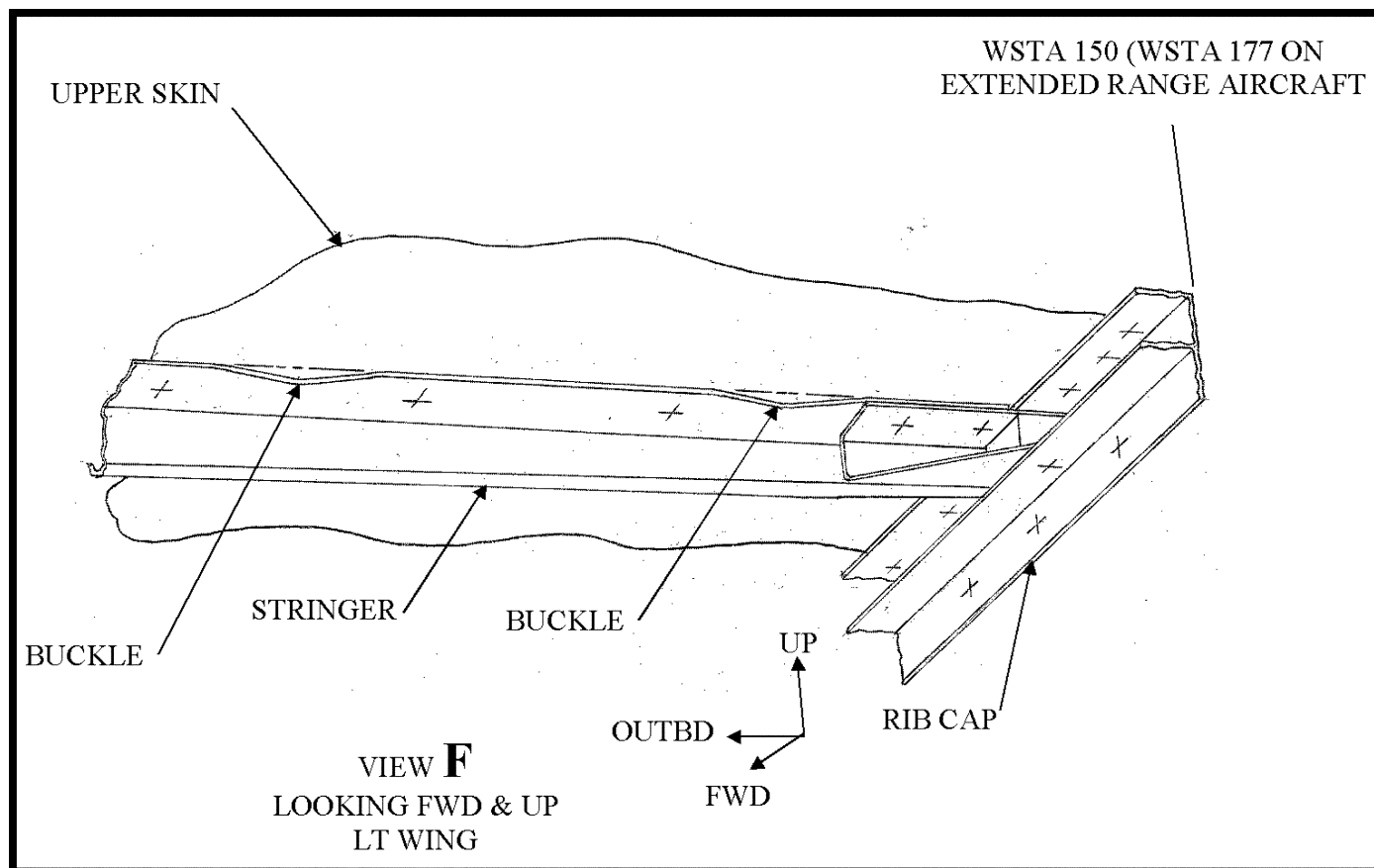


Figure 7

BILLING CODE 4910-13-C

Appendix 2 to Docket No. FAA-2011-0450

Airworthiness Limitations for the Flint Aero, Inc. Airplane Flight Manual Supplement

"MAINTAIN AT LEAST 12 GAL OF FUEL IN EACH WING TIP FUEL TANK FOR AIRPLANE WEIGHTS AT OR ABOVE 4,330 LBS."

Issued in Kansas City, Missouri, on April 27, 2011.

John Colomy,

Acting Manager, Small Airplane Directorate, Aircraft Certification Service.

[FR Doc. 2011-10818 Filed 5-3-11; 8:45 am]

BILLING CODE 4910-13-P

SECURITIES AND EXCHANGE COMMISSION**17 CFR Parts 229 and 240**

[Release Nos. 33-9203; 34-64366; File No. S7-13-11]

RIN 3235-AK95

Listing Standards for Compensation Committees

AGENCY: Securities and Exchange Commission.

ACTION: Proposed rule; extension of comment period.

SUMMARY: The Securities and Exchange Commission is extending the comment period for a release proposing a new rule and rule amendments to implement the provisions of Section 952 of the Dodd-Frank Wall Street Reform and Consumer Protection Act of 2010, which added Section 10C to the Securities Exchange Act of 1934 (the "Exchange Act"). [Release No. 33-9199; 76 FR 18966 (April 6, 2011)]. The original comment period for Release 33-9199 is scheduled to end on April 29, 2011. The Commission is extending the time period in which to provide the Commission with comments on that release to May 19, 2011. This action will allow interested persons additional time to analyze the issues and prepare their comments.

DATES: Comments should be received on or before May 19, 2011.

ADDRESSES: Comments may be submitted by any of the following methods:

Electronic Comments

- Use the Commission's Internet comment form (<http://www.sec.gov/rules/proposed.shtml>);
- Send an e-mail to rule-comments@sec.gov; or
- Use the Federal Rulemaking ePortal (<http://www.regulations.gov>). Follow the instructions for submitting comments.

Paper Comments

- Send paper comments in triplicate to Elizabeth M. Murphy, Secretary, U.S. Securities and Exchange Commission, 100 F Street, NE., Washington, DC 20549-1090.

All submissions should refer to File Number S7-13-11. This file number should be included on the subject line if e-mail is used. To help us process and review your comments more efficiently, please use only one method. The Commission will post all comments on the Commission's Internet Web site (<http://www.sec.gov/rules/proposed.shtml>). Comments are also available for Web site viewing and printing in the Commission's Public Reference Room, 100 F Street, NE., Washington, DC 20549, on official business days between the hours of