

association for a student at an "institution of higher education," as that term is generally defined in sections 101 and 102 of the Higher Education Act of 1965 (20 U.S.C. 1001 and 1002) and the implementing regulations published by the U.S. Department of Education, with interest rates and fees no greater than those of comparable education loans offered directly by the U.S. Department of Education. Such rates and fees are specified in section 455 of the Higher Education Act of 1965 (20 U.S.C. 1087e).

(f) *Activities in cooperation with minority- or women-owned financial institutions and low-income credit unions.* In assessing and taking into account the record of a nonminority-owned and nonwomen-owned savings association under this part, the OTS considers as a factor capital investment, loan participation, and other ventures undertaken by the savings association in cooperation with minority- and women-owned financial institutions and low-income credit unions. Such activities must help meet the credit needs of local communities in which the minority- and women-owned financial institutions and low-income credit unions are chartered. To be considered, such activities need not also benefit the savings association's assessment area(s) or the broader statewide or regional area that includes the savings association's assessment area(s).

■ 3. In Appendix A to Part 563e, paragraph (a)(1) is revised to read as follows:

Appendix A to Part 563e—Ratings

(a) * * *

(1) In assigning a rating, the OTS evaluates a savings association's performance under the applicable performance criteria in this part, in accordance with §§ 563e.21 and 563e.28. This includes consideration of low-cost education loans provided to low-income borrowers and activities in cooperation with minority- or women-owned financial institutions and low-income credit unions, as well as adjustments on the basis of evidence of discriminatory or other illegal credit practices.

* * * * *

Dated: June 29, 2010.

John C. Dugan,

Comptroller of the Currency.

By order of the Board of Governors of the Federal Reserve System, September 2, 2010.

Jennifer J. Johnson,

Secretary of the Board.

Dated at Washington, DC, this 27th day of September, 2010.

Federal Deposit Insurance Corporation.

Robert E. Feldman,

Executive Secretary.

Dated: September 24, 2010.

By the Office of Thrift Supervision.

John E. Bowman,

Acting Director.

[FR Doc. 2010-24737 Filed 10-1-10; 8:45 am]

BILLING CODE 4810-33-P; 6210-01-P; 6714-01-P; 6720-01-P

DEPARTMENT OF TRANSPORTATION

Federal Aviation Administration

14 CFR Part 39

[Docket No. FAA-2010-0342; Directorate Identifier 2002-NE-08-AD; Amendment 39-16458; AD 2010-20-23]

RIN 2120-AA64

Airworthiness Directives; Bombardier-Rotax GmbH Type 912 F, 912 S, and 914 F Series Reciprocating Engines

AGENCY: Federal Aviation Administration (FAA), Department of Transportation (DOT).

ACTION: Final rule.

SUMMARY: The FAA is superseding an existing airworthiness directive (AD) for certain serial numbers (S/Ns) of Bombardier-Rotax GmbH type 912 F and 914 F series reciprocating engines. That AD currently requires initial and repetitive visual inspections of the engine crankcase for cracks. This AD requires those same inspections, adds the 912 S series to the affected population, adds a test procedure to determine the engine suitability for a special flight permit, and changes applicability from engine S/N to crankcase S/N. This AD results from an increase in the affected crankcase population. We are issuing this AD to prevent oil loss caused by cracks in the engine crankcase, which could lead to in-flight failure of the engine and forced landing.

DATES: This AD becomes effective November 8, 2010.

ADDRESSES: You can get the service information identified in this AD from BRP-Rotax GmbH & Co. KG, Welser Strasse 32, A-4623 Gunskirchen, Austria.

The Docket Operations office is located at Docket Management Facility, U.S. Department of Transportation, 1200 New Jersey Avenue, SE., West Building Ground Floor, Room W12-140, Washington, DC 20590-0001.

FOR FURTHER INFORMATION CONTACT:

Alan Strom, Aerospace Engineer, Engine

Certification Office, FAA, Engine & Propeller Directorate, 12 New England Executive Park, Burlington, MA 01803; e-mail: alan.strom@faa.gov; telephone (781) 238-7143; fax (781) 238-7199.

SUPPLEMENTARY INFORMATION: The FAA proposed to amend 14 CFR part 39 by superseding AD 2002-16-26, Amendment 39-12865 (67 FR 53296, August 15, 2002), with a proposed AD. The proposed AD applies to Bombardier-Rotax GmbH type 912 F, 912 S, and 914 F series reciprocating engines with certain serial-numbered crankcases. We published the proposed AD in the **Federal Register** on April 7, 2010 (75 FR 17632). That action proposed to require initial visual inspection for cracks in the engine crankcase of engines with certain serial-numbered crankcases, within 50 hours time-in-service (TIS) after the effective date of that AD, and repetitive visual inspections at each 100-hour, annual, or progressive inspection, or within 110 hours TIS since last inspection, whichever occurs first. If any cracks are found, the engine must be removed from service.

Examining the AD Docket

You may examine the AD docket on the Internet at <http://www.regulations.gov>; or in person at the Docket Operations office between 9 a.m. and 5 p.m., Monday through Friday, except Federal holidays. The AD docket contains this AD, the regulatory evaluation, any comments received, and other information. The street address for the Docket Operations office (telephone (800) 647-5527) is provided in the **ADDRESSES** section. Comments will be available in the AD docket shortly after receipt.

Comments

We provided the public the opportunity to participate in the development of this AD. We have considered the comment received.

One commenter asks us to change paragraph (g)(4) from "If the engine crankcase is cracked, replace the engine before further flight" to "If the engine crankcase is cracked, replace, repair, or overhaul the engine before further flight". The commenter states that this would allow the option of replacing the crankcase as a repair or overhaul as well as an outright engine replacement.

We partially agree. An owner or operator might interpret paragraph (g)(4) to mean they can't repair the engine. We have changed paragraph (g)(4) to state "If the engine crankcase is cracked, remove the engine from service before further flight."

Conclusion

We have carefully reviewed the available data, including the comment received, and determined that air safety and the public interest require adopting the AD with the change described previously. We have determined that this change will neither increase the economic burden on any operator nor increase the scope of the AD.

Costs of Compliance

Based on the service information, we estimate that this AD will affect about 250 products of U.S. registry. We also estimate that it will take about 3 work-hours per inspection and 20 work hours to replace the crankcase to comply with this AD. The average labor rate is \$85 per work-hour. Required parts will cost about \$6,500 per crankcase. Based on these figures and an estimate of one crankcase replaced per year, we estimate the annual cost of the AD on U.S. operators to be \$71,950. Our cost estimate is exclusive of possible warranty coverage.

Authority for This Rulemaking

Title 49 of the United States Code specifies the FAA's authority to issue rules on aviation safety. Subtitle I, section 106, describes the authority of the FAA Administrator. Subtitle VII, Aviation Programs, describes in more detail the scope of the Agency's authority.

We are issuing this rulemaking under the authority described in Subtitle VII, part A, subpart III, section 44701, "General requirements." Under that section, Congress charges the FAA with promoting safe flight of civil aircraft in air commerce by prescribing regulations for practices, methods, and procedures the Administrator finds necessary for safety in air commerce. This regulation is within the scope of that authority because it addresses an unsafe condition that is likely to exist or develop on products identified in this rulemaking action.

Regulatory Findings

We have determined that this AD will not have federalism implications under

Executive Order 13132. This AD will not have a substantial direct effect on the States, on the relationship between the national government and the States, or on the distribution of power and responsibilities among the various levels of government.

For the reasons discussed above, I certify that this AD:

- (1) Is not a "significant regulatory action" under Executive Order 12866;
- (2) Is not a "significant rule" under DOT Regulatory Policies and Procedures (44 FR 11034, February 26, 1979); and
- (3) Will not have a significant economic impact, positive or negative, on a substantial number of small entities under the criteria of the Regulatory Flexibility Act.

We prepared a summary of the costs to comply with this AD and placed it in the AD Docket. You may get a copy of this summary at the address listed under **ADDRESSES**.

List of Subjects in 14 CFR Part 39

Air transportation, Aircraft, Aviation safety, Safety.

Adoption of the Amendment

■ Accordingly, under the authority delegated to me by the Administrator, the Federal Aviation Administration amends 14 CFR part 39 as follows:

PART 39—AIRWORTHINESS DIRECTIVES

- 1. The authority citation for part 39 continues to read as follows:

Authority: 49 U.S.C. 106(g), 40113, 44701.

§ 39.13 [Amended]

- 2. The FAA amends § 39.13 by removing Amendment 39–12865 (67 FR 53296, August 15, 2002), and by adding a new airworthiness directive, Amendment 39–16458, to read as follows:

2010–20–23 Bombardier-Rotax GmbH (formerly Rotax, Motorenfabrik):
Amendment 39–16458. Docket No. FAA–2010–0342; Directorate Identifier 2002–NE–08–AD.

Effective Date

- (a) This airworthiness directive (AD) becomes effective November 8, 2010.

Affected ADs

- (b) This AD supersedes AD 2002–16–26, Amendment 39–12865.

Applicability

(c) This AD is applicable to Bombardier-Rotax GmbH type 912 F series, 912 S series, and 914 F series reciprocating engines that have a crankcase serial-numbered 27811 or lower, installed. These engines are installed on, but not limited to, Aeromot-Industria Mecanico Metalurgica Itda AMT–300; Aquila Technische Entwicklugen GmbH AQUILA AT01; Diamond Aircraft Industries DA–20A1; Diamond Aircraft Industries GmbH Models HK36TC, HK36TTC, HK36TTC–ECO, and HK36TTS; Iniziative Industriali Italiane S.p.A. Sky Arrow 650 series; SCHEIBE–Flugzeugbau GmbH SF 25C; and Stemme S10–VT aircraft.

Unsafe Condition

(d) This AD results from an increase in the affected engine crankcase population. We are issuing this AD to prevent oil loss caused by cracks in the engine crankcase, which could lead to in-flight failure of the engine and forced landing.

Compliance

(e) You are responsible for having the actions required by this AD performed within the compliance times specified, unless the actions have already been done.

Determining the Crankcase Serial Number (S/N)

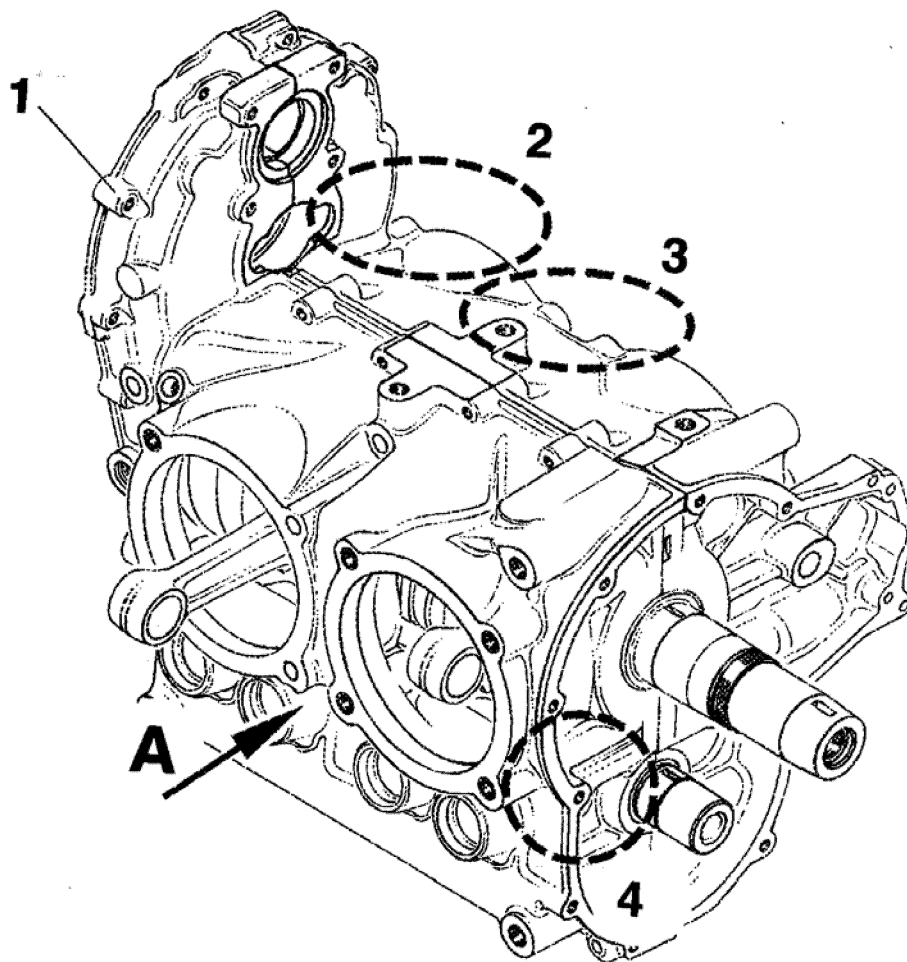
(f) Determine if your crankcase is affected by looking at the S/N in the area indicated by XXX, following "Made in Austria," as shown on Figure 2 of this AD. The marking is on both crankcase halves.

Initial Inspection

(g) Within 50 hours time-in-service (TIS) from the effective date of this AD, perform a visual inspection as follows:

- (1) Inspect the engine crankcase (item 1, Figure 1 of this AD) for cracks especially in the area of cylinder 1 upper side (item 2), between cylinder 1 and 3 upper side (item 3), cylinder 4 lower-right side (item 4) and detailed inspection in the area identified in Figure 2 (item 5) of this AD. Information concerning this inspection can be found in Bombardier-Rotax Mandatory Service Bulletins No. SB–912–029, Revision 3, dated July 11, 2006 and No. SB–914–018, Revision 3, dated July 11, 2006.

BILLING CODE 4910–13–P



LEGEND

- 1. Engine Crankcase
- 2. Cylinder 1 Upper Side
- 3. Cylinder 3 Upper Side
- 4. Cylinder 4 Lower-right Side

Figure 1. Engine Crankcase Inspection Areas

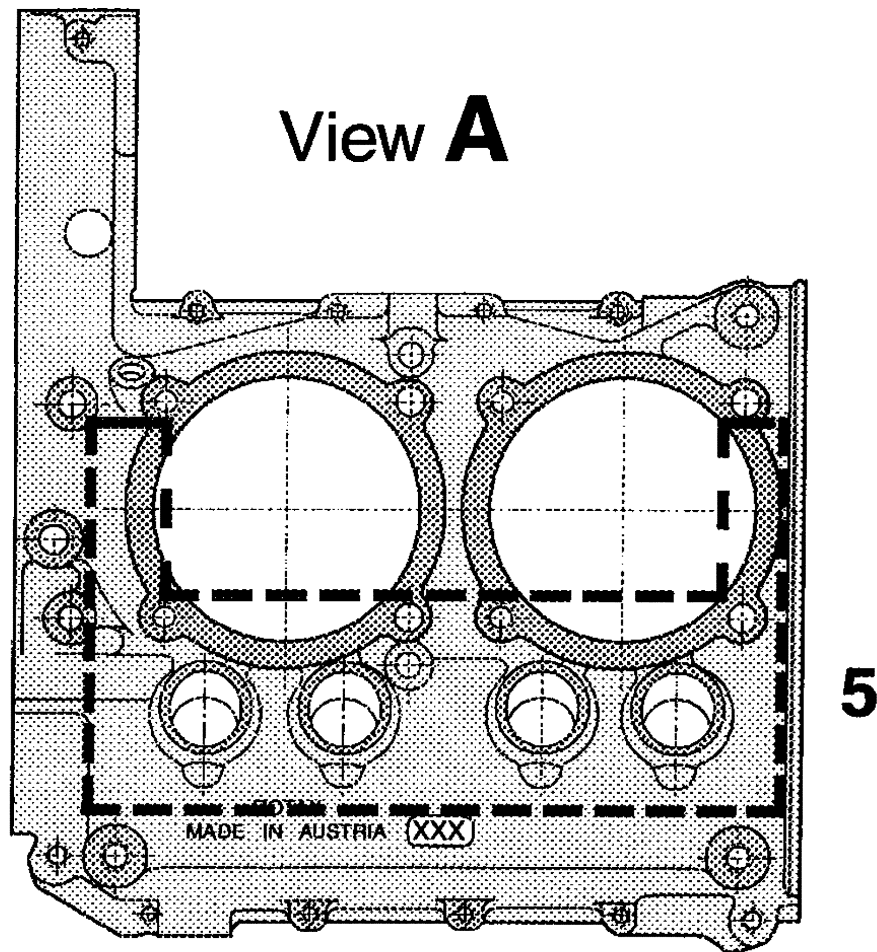


Figure 2. Engine Crankcase Inspection Areas – View A

BILLING CODE 4910-13-C

(2) Cracks in crankcases of engines with a ROTAX cooling air baffle may not be easily visible, and oil leaks may be an indication of cracks. Visually inspect for oil leaks in areas of cylinder 1 upper side (item 2, Figure 1 of this AD) and between cylinder 1 and cylinder 3 upper side (item 3).

(3) If you find oil leaks, determine the source by either using a borescope or removing the object blocking the view such as the air baffle or accessory, and perform the inspection.

(4) If the engine crankcase is cracked, remove the engine from service before further flight.

Repetitive Inspections

(h) Visually inspect the engine crankcase (item 1, Figure 1 of this AD) for cracks at each 100-hour, annual, or progressive inspection, or within 110 hours TIS since last inspection, whichever occurs first, in accordance with paragraphs (g)(1) through (g)(4) of this AD.

Alternative Methods of Compliance

(i) The Manager, Engine Certification Office, has the authority to approve alternative methods of compliance for this AD if requested using the procedures found in 14 CFR 39.19.

Special Flight Permits

(j) Under 14 CFR part 39.23, we are limiting the special flight permits for this AD by the following conditions if the crankcase is cracked or there is evidence of oil leakage from the crankcase:

(1) Perform a leak check as follows:

(i) Clean the crankcase surface to remove any oil.

(ii) Warm up the engine to a minimum oil temperature of 50 degrees C (120 degrees F). Information about warming up the engine can be found in the applicable line maintenance manual.

(iii) Accelerate the engine to full throttle and stabilize at full throttle speed for a time period of 5 to 10 seconds. Information about performing a full throttle run can be found in the applicable line maintenance manual.

(iv) Shutdown after running the engine at idle only long enough to prevent vapor locks in the cooling system and fuel system.

(v) Inspect the crankcase for evidence of oil leakage. Oil wetting is permitted, but oil leakage of more than one drip in 3 minutes after engine shutdown is not allowed.

(2) Check the crankcase mean pressure to confirm that it is 1.46 pounds-per-square inch gage (psig) (0.1 bar) or higher when checked at takeoff power to ensure proper return of oil from the crankcase to the oil tank. Information about checking crankcase mean pressure is available in the Lubrication System section of the applicable engine installation manual.

(3) A ferry flight is not allowed if oil leakage exceeds one drip in 3 minutes or if crankcase mean pressure is below 1.46 psig.

Optional Terminating Action

(k) Installing a crankcase that has a S/N above 27811 terminates the inspection requirements of paragraphs (g)(1) through (g)(4) and (h) of this AD.

Related Information

(l) Contact Alan Strom, Aerospace Engineer, Engine Certification Office, FAA, Engine & Propeller Directorate, 12 New England Executive Park, Burlington, MA 01803; e-mail: alan.strom@faa.gov; telephone (781) 238-7143; fax (781) 238-7199, for more information about this AD.

(m) EASA airworthiness directive 2007-0025, dated February 1, 2007, also addresses the subject of this AD.

(n) Bombardier-Rotax Mandatory Service Bulletins No. SB-912-029, Revision 3, dated July 11, 2006 and No. SB-914-018, Revision 3, dated July 11, 2006, pertain to the subject of this AD. Contact BRP-Rotax GmbH & Co. KG, Welser Strasse 32, A-4623 Gunskirchen, Austria, or go to rotax-aircraft-engines.com for a copy of this service information.

Material Incorporated by Reference

(o) None.

Issued in Burlington, Massachusetts, on September 24, 2010.

Francis A. Favara,

Manager, Engine and Propeller Directorate, Aircraft Certification Service.

[FR Doc. 2010-24629 Filed 10-1-10; 8:45 am]

BILLING CODE 4910-13-P

SECURITIES AND EXCHANGE COMMISSION**17 CFR Part 243**

[Release Nos. 33-9146; 34-63003; IC-29448; File No. S7-23-10]

Removal From Regulation FD of the Exemption for Credit Rating Agencies

AGENCY: Securities and Exchange Commission.

ACTION: Final rule.

SUMMARY: This amendment implements Section 939B of the Dodd-Frank Wall Street Reform and Consumer Protection Act of 2010, which requires that the Securities and Exchange Commission amend Regulation FD to remove the specific exemption from the rule for disclosures made to nationally recognized statistical rating organizations and credit rating agencies for the purpose of determining or monitoring credit ratings.

DATES: *Effective Date:* October 4, 2010.

FOR FURTHER INFORMATION CONTACT: Steven G. Hearne, Special Counsel in the Office of Rulemaking, Division of Corporation Finance, at (202) 551-3430, 100 F Street, NE., Washington, DC 20549.

SUPPLEMENTARY INFORMATION: The Commission is deleting Rule 100(b)(2)(iii)¹ under Regulation FD.²

¹ 17 CFR 243.100(b)(2)(iii).

² 17 CFR 243.100 *et seq.*

I. Overview of the Amendment

Regulation FD provides that when an issuer, or person acting on its behalf, discloses material nonpublic information to certain enumerated persons (in general, securities market professionals and holders of the issuer's securities who may trade on the basis of the information), it must make public disclosure of that information.³ Section 939B of the Dodd-Frank Wall Street Reform and Consumer Protection Act of 2010 (the "Act") requires the Commission to "revise Regulation FD (17 CFR 243.100) to remove from such regulation the exemption for entities whose primary business is the issuance of credit ratings (17 CFR 243.100(b)(2)(iii))" within 90 days after the date of enactment.⁴ The effective date of the legislation is July 21, 2010 and our revised rule will be effective for disclosure made on or after October 4, 2010.

II. Discussion of the Amendment

As required by the Act, we are amending Regulation FD to remove the specific exemption provided to nationally recognized statistical rating organizations and credit rating agencies for disclosure made to them for the purpose of determining or monitoring a credit rating. To effectuate this change, we are removing Rule 100(b)(2)(iii) of Regulation FD. Due to the removal of Rule 100(b)(2)(iii), we are re-designating Rule 100(b)(2)(iv) as Rule 100(b)(2)(iii).

Regulation FD is designed to address the problem of selective disclosure made to those who would reasonably be expected to trade securities on the basis of the information or provide others with advice about securities trading.⁵ Under Regulation FD, the timing of the required public disclosure of material nonpublic information that is provided by an issuer, or persons acting on its behalf, to certain enumerated persons depends on whether the selective disclosure was intentional. For an intentional selective disclosure, the issuer must make public disclosure simultaneously. In other circumstances, the issuer must make public disclosure promptly. Under the regulation, the required public disclosure may be made by filing or furnishing a Form 8-K,⁶ or by another method or combination of methods that is reasonably designed to provide broad, non-exclusionary

³ 17 CFR 243.100(a). See Selective Disclosure and Insider Trading, Release No. 34-43154 (Aug. 15, 2000) [65 FR 51716] at 51716 (the "Regulation FD Adopting Release").

⁴ Pub. L. 111-203 (July 21, 2010).

⁵ Regulation FD Adopting Release, *supra* note 3, at 51719.

⁶ 17 CFR 249.308.

distribution of the information to the public.⁷

Under Rule 100(b)(2)(iii) of Regulation FD, the issuer or person acting on the issuer's behalf need not make the public disclosure if the disclosure of material nonpublic information is made to a credit rating agency that makes its credit ratings publicly available, or is made pursuant to Rule 17g-5(a)(3)⁸ to a nationally recognized statistical rating organization. As required by Section 939B of the Act, we are removing the exemption specifically available to these entities under Regulation FD.⁹

III. Procedural and Other Matters

The Administrative Procedure Act ("APA") generally requires an agency to publish notice of a proposed rulemaking in the **Federal Register**.¹⁰ This requirement does not apply, however, if the agency "for good cause finds * * * that notice and public procedure thereon are impracticable, unnecessary, or contrary to the public interest."¹¹ The revision to Regulation FD that the Commission is adopting is required by Section 939B of the Act by the legislatively required date. Unless the rule and form amendments become effective by that date, issuers may be confused regarding their disclosure and reporting obligations. The Commission is required by statute to remove the specific exemption for disclosure provided to nationally recognized statistical rating organizations and credit rating agencies. Because this revision is required by Congress, it does not involve the exercise of Commission discretion or policy judgments. For these reasons, the Commission finds that good cause exists to dispense with a public notice and comment period for these amendments because notice and comment would be unnecessary, impracticable and contrary to the public interest.¹²

⁷ 17 CFR 243.101(e).

⁸ 17 CFR 240.17g-5(a)(3).

⁹ Regulation FD also provides exemptions for communications made to a person who owes the issuer a duty of trust or confidence—i.e., a "temporary insider"—such as an attorney, investment banker, or accountant (17 CFR 243.100(b)(2)(i)), to any person who expressly agrees to maintain the information in confidence (17 CFR 243.100(b)(2)(ii)), and in connection with most offerings of securities registered under the Securities Act (17 CFR 243.100(b)(2)(iv)). These exemptions are unaffected by the Act.

¹⁰ See 5 U.S.C. 553(b).

¹¹ 5 U.S.C. 553(b).

¹² The Regulatory Flexibility Act requires agencies to prepare analyses for rulemaking only when the APA requires general notice of proposed rulemaking. 5 U.S.C. 603(a). The Regulatory Flexibility Act does not apply to the rules we adopt today because, as noted above, the Commission is